

SERVICE MANUAL



FISHER

Compact Disc Player

AD-829

(EUROPE)



PRODUCT CODE No.

137 037 44

SPECIFICATIONS

NOTE:

The below mentioned specifications are mainly based on the IHF measurements standard.

They can therefore not directly be compared with specifications based on the DIN standard or other standards.

Audio

Channels 2 channels
Frequency response 5-20,000Hz
S/N ratio 96 dB
Channel separation 90dB (1 kHz)
Distortion 0.05% (1 kHz)
Wow and flutter .. Undetectable
Outputs 1.37 V/1k ohms

Pickup

System Light pickup (3 -beam)
Light source Semiconductor laser
Wave length 790 nm

General

Power supply .. AC 10V, Supplied from the M-C929
Dimensions (approx.) 420(W) × 86(H) × 270(D) mm

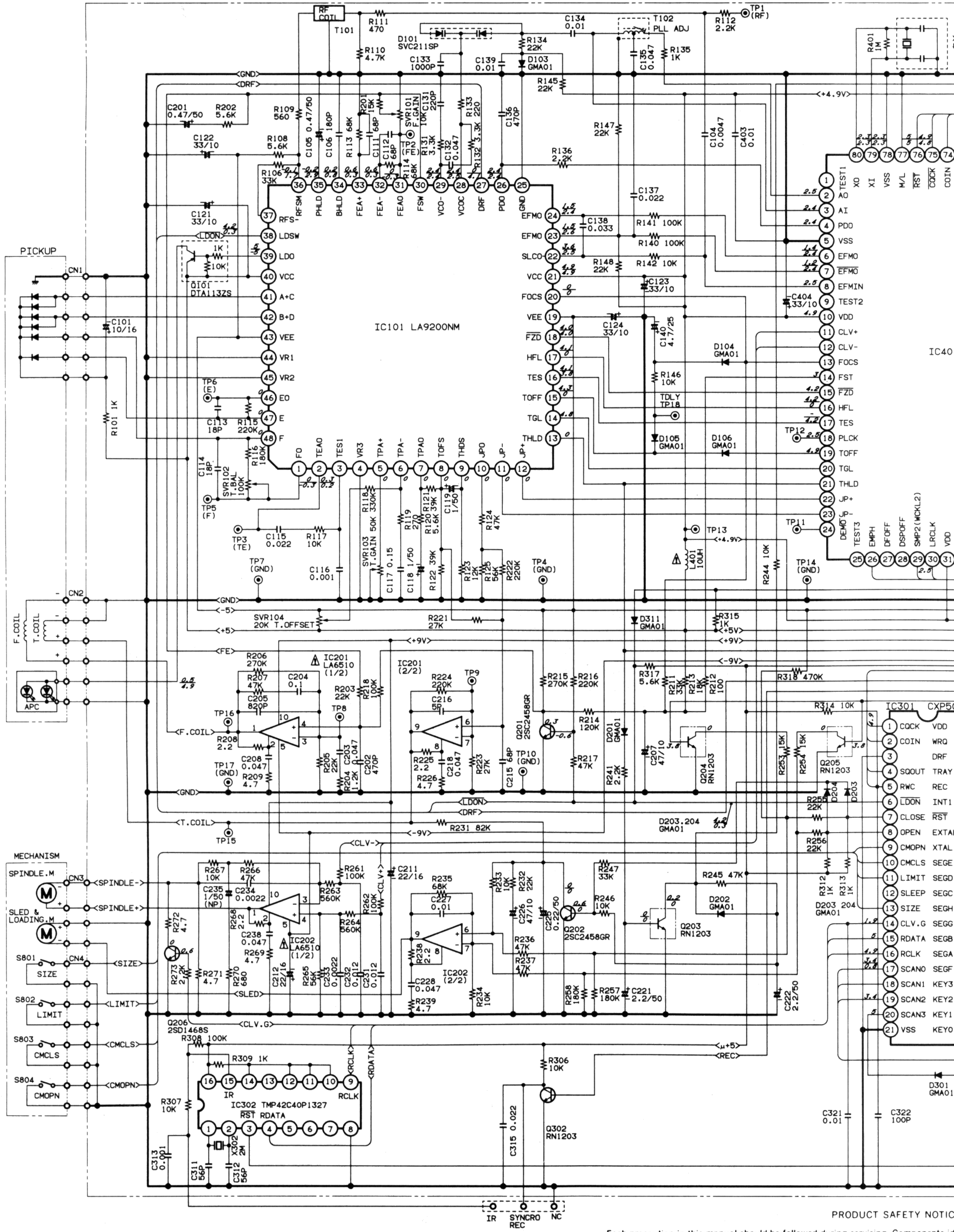
Signal format

Sampling frequency 44.1 kHz
Quantization 16 bits linear / channel
Transmission rate 4.32 Mbit / sec.

Specifications and design subject to change without notice.

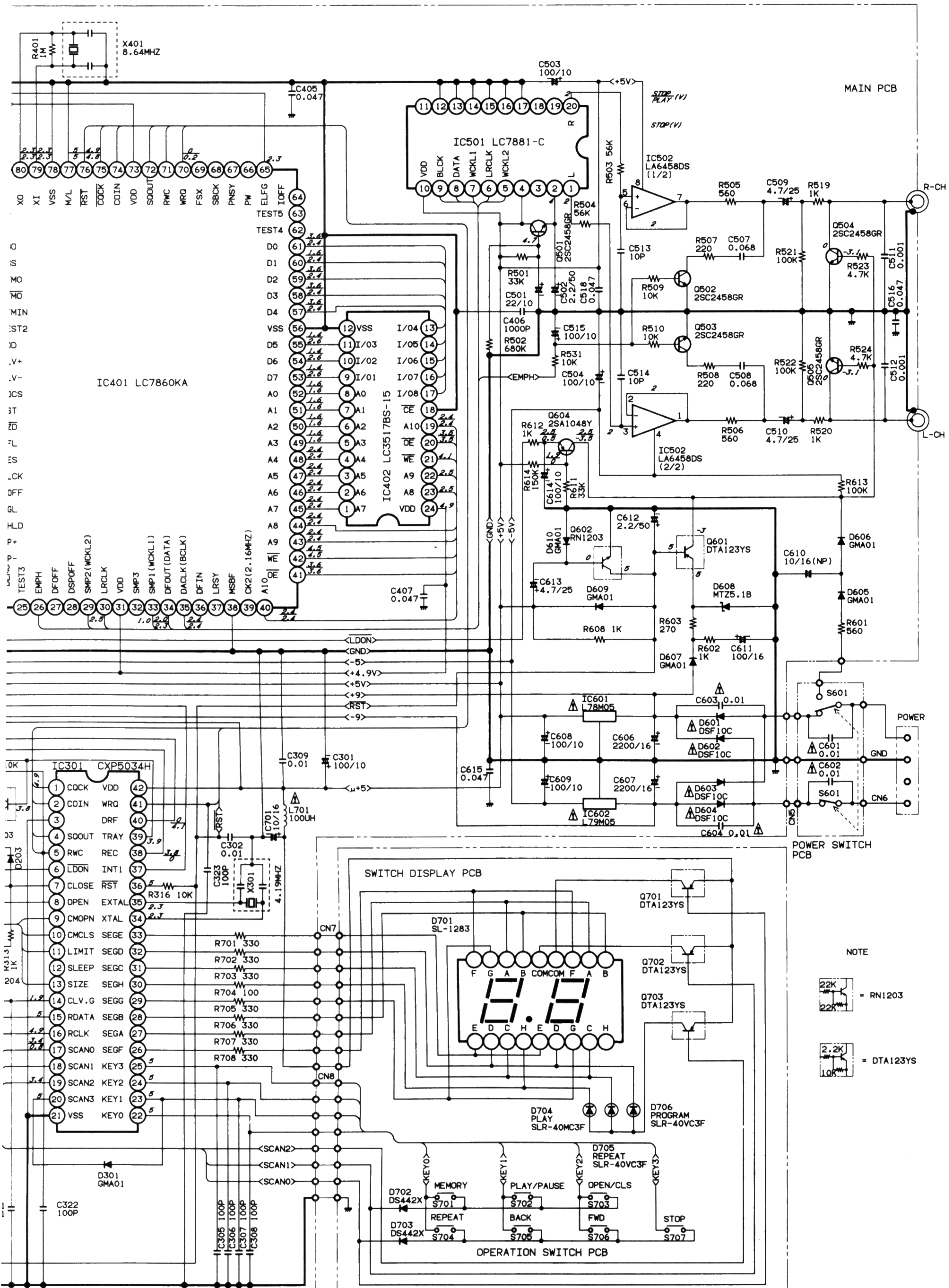
REFERENCE NO. WM-580441

SCHEMATIC DIAGRAM




PRODUCT SAFETY NOTICE

Each precaution in this manual should be followed during servicing. Components in the schematic diagram designate components in which safety can be of special significance. Use only the replacement parts designated, or parts with the same ratings of value as the parts list in this manual.



PRODUCT SAFETY NOTICE

When servicing, components identified with the IEC symbol  in the parts list and in this safety notice are of special significance. When replacing a component identified with this symbol, it is important to use a component with the same ratings of resistance, wattage or voltage that are designated in the

parts list. Leakage current or resistance measurements must be made to determine that exposed parts are acceptably insulated from the supply circuit before returning the product to the customer.